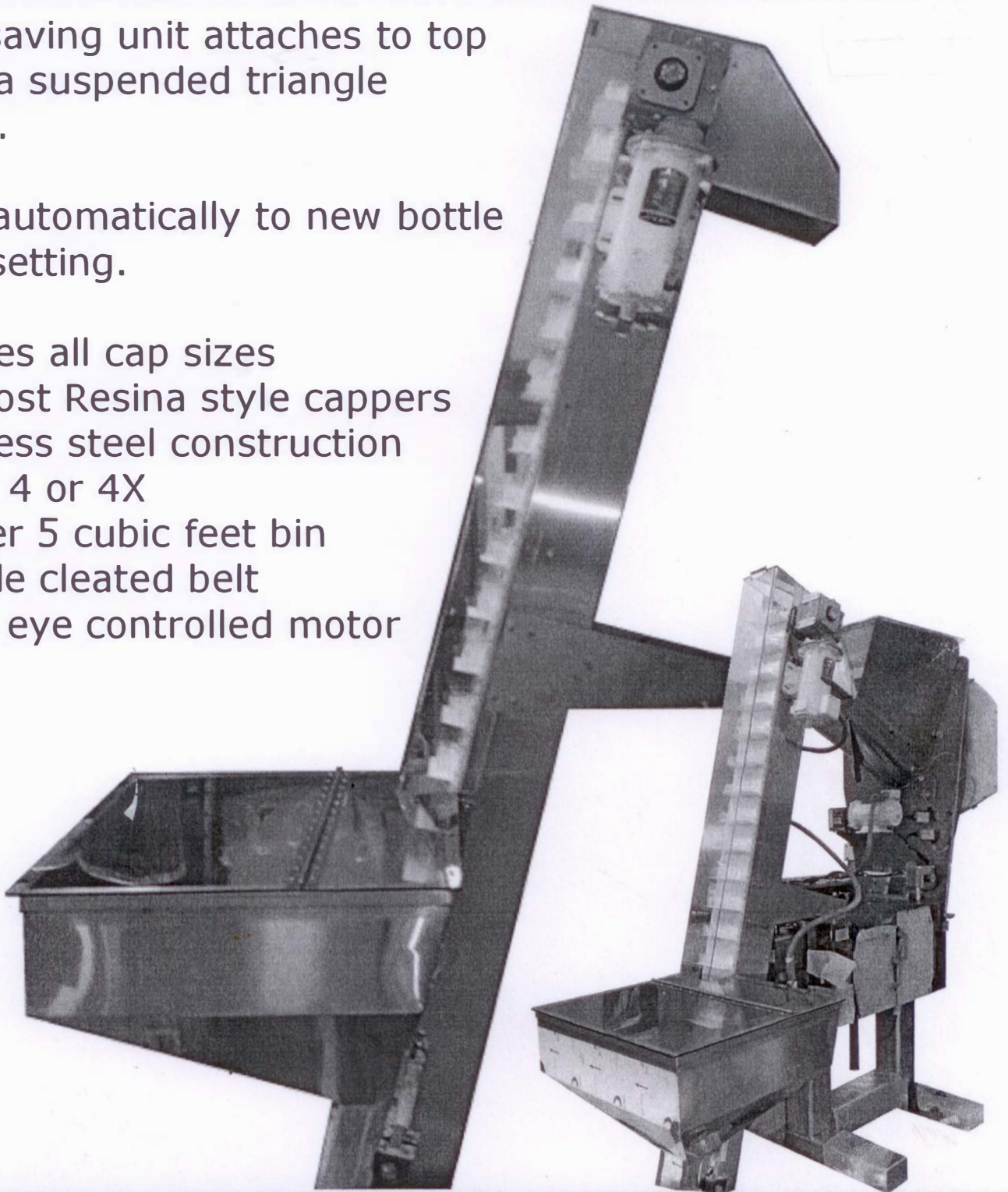


UAC Packaging LLC Cap Elevator

Space saving unit attaches to top plate via suspended triangle bracket.

Adjust automatically to new bottle height setting.

- Handles all cap sizes
- fits most Resina style cappers
- Stainless steel construction
- Nema 4 or 4X
- Hopper 5 cubic feet bin
- 6" wide cleated belt
- Photo eye controlled motor



**330 Roycefield Road Unit C
Hillsborough, NJ 08844
cappers@uacpackaging.com**

**Phone: (908) 595-6890
Fax: (908) 595-6893
www.uacpackaging.com**